



Alloy steel, nickel-plated, tension or compression applications. Suitable for hanging scales, mechanical conversion scales, hopper scales and other electronic weighing devices.

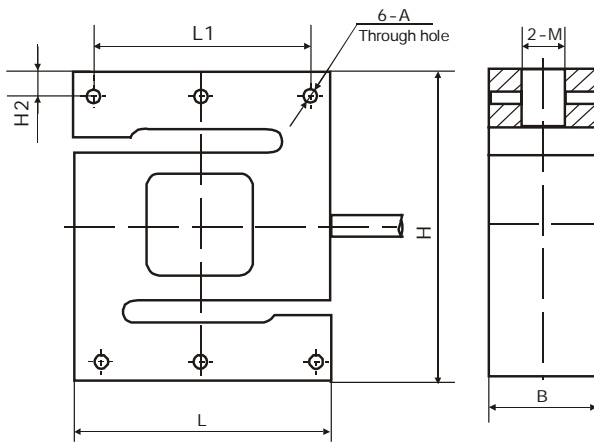
Capacity	Accuracy	Part number
1.0t	C3	H3E-C3-1.0t-0.5B
2.0t	C3	H3E-C3-2.0t-0.5B
3.0t	C3	H3E-C3-3.0t-0.5B
5.0t	C3	H3E-C3-5.0t-0.5B
7.5t	C3	H3E-C3-7.5t-0.5B
10t	C3	H3E-C3-10t-0.5B
15t	C3	H3E-C3-15t-0.5B

**Specifications**

Accuracy Class	C3	Temperature effect on zero (%FS/10°C)	0.02
Rated output(mV/V)	2.0±0.002	Temperature, Compensated (C)	-10~+40
Combined error (%FS)	0.02	Temperature, Operating (C)	-35~+65
Non-linearity (%FS)	0.017	Excitation, Recommended (V)	5~12(DC)
Non-repeatability (%FS)	0.01	Excitation, Max. (V)	18(DC)
Creep (%FS/30min)	0.02	Safe Overload (%FS)	150
Input Resistance (Ω)	400±30	Ultimate Overload (%FS)	300
Output Resistance (Ω)	350±3	Protection Class	IP 67
Insulation Resistance (MΩ)	≥5000(50VDC)	Cable Length (m)	0.5
Zero Balance (%FS)	1.5	Cable spec	4-wire shielded cable φ 5mm
Temperature effect on span (%FS/10°C)	0.02		

Connections Red Input(+) Black Input(-) Green Output(+) White Output(-) Transparence (Shield)

**Outline Dimensions in mm(inches)**



Capacity	Dimensions						
	L	H	B	M	A	L1	L2
1-5 (2K-10Klb)	70 (2.76)	106 (4.17)	30 (1.18)	M16	M6	50 (1.97)	10.5 (0.41)
7.5, 10 (15Klb, 20Klb)	120 (4.72)	180 (7.09)	50 (1.97)	M30	M8	90 (3.54)	15 (0.59)